

Interface PCB

Accessory Connector

## PROCESSOR DSP AUDIO

252 SHEET 3

### RECEIVER

246 GND RX-ANT SHEET 2

### SYNTH-VCO

2922 GND SHEET 4

### POWER-AMP

5881 GND RX-ANT SHEET 7

VCO  
sheet 6



03A	UPDATE ALC AND AFC	BRD			17-05-99
02A	SEE NOTES FILE FOR CHANGES	BRD			10/02/99
08	UPDATED MUTE CIRCUITRY	DBH			
REV/ISS	AMENDMENTS	DRAWN	CHKD	D.O.	APVD DATE

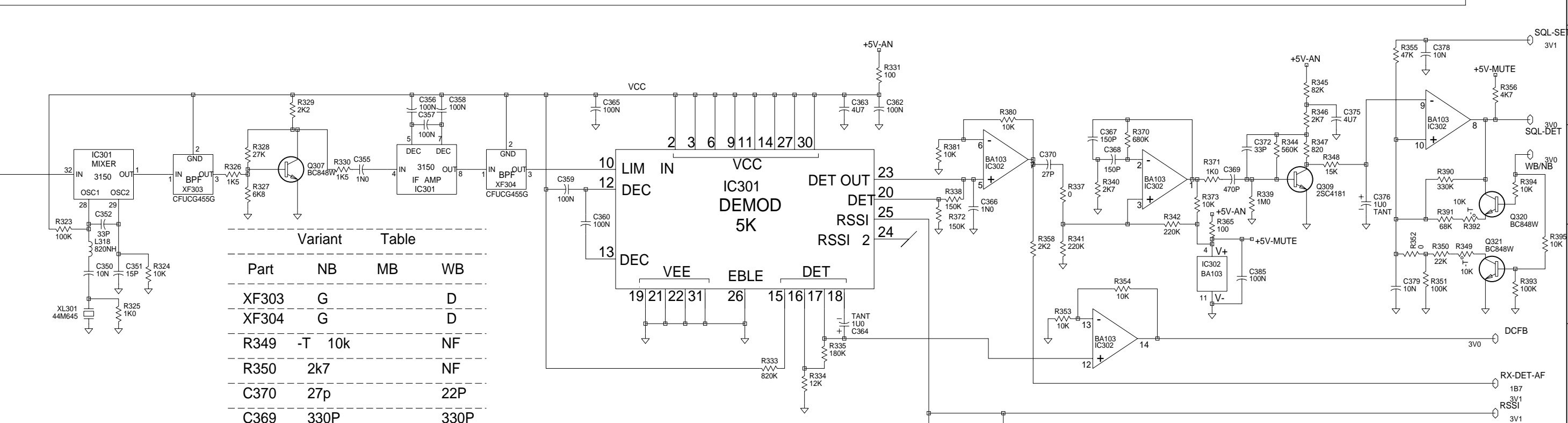
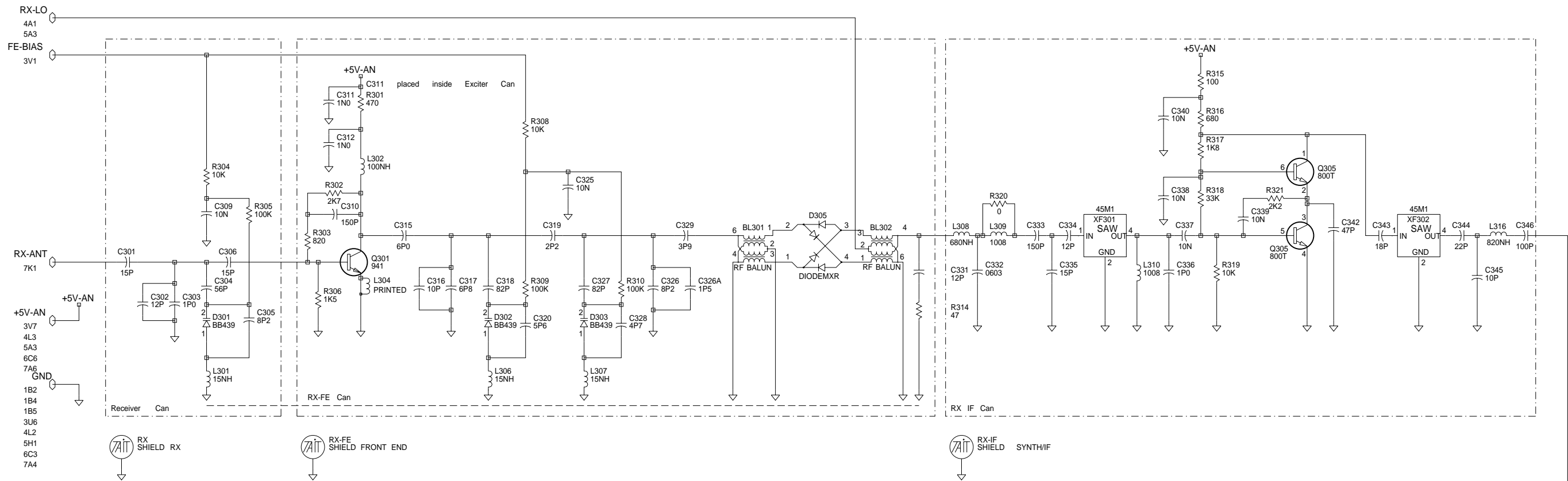
# Sub UHF

**TAIT ELECTRONICS**

ORCA :TP010- 336-400MHZ  
SYSTEM DIAGRAM

IPN: 220-01503-03    ISSUE: A    ID: 2.S.C. 1

PROJECT: ORCA    DESIGNER: BRD    FILE NAME: 150303A    FILE DATE: 17-05-99    NO.SHEETS: 7

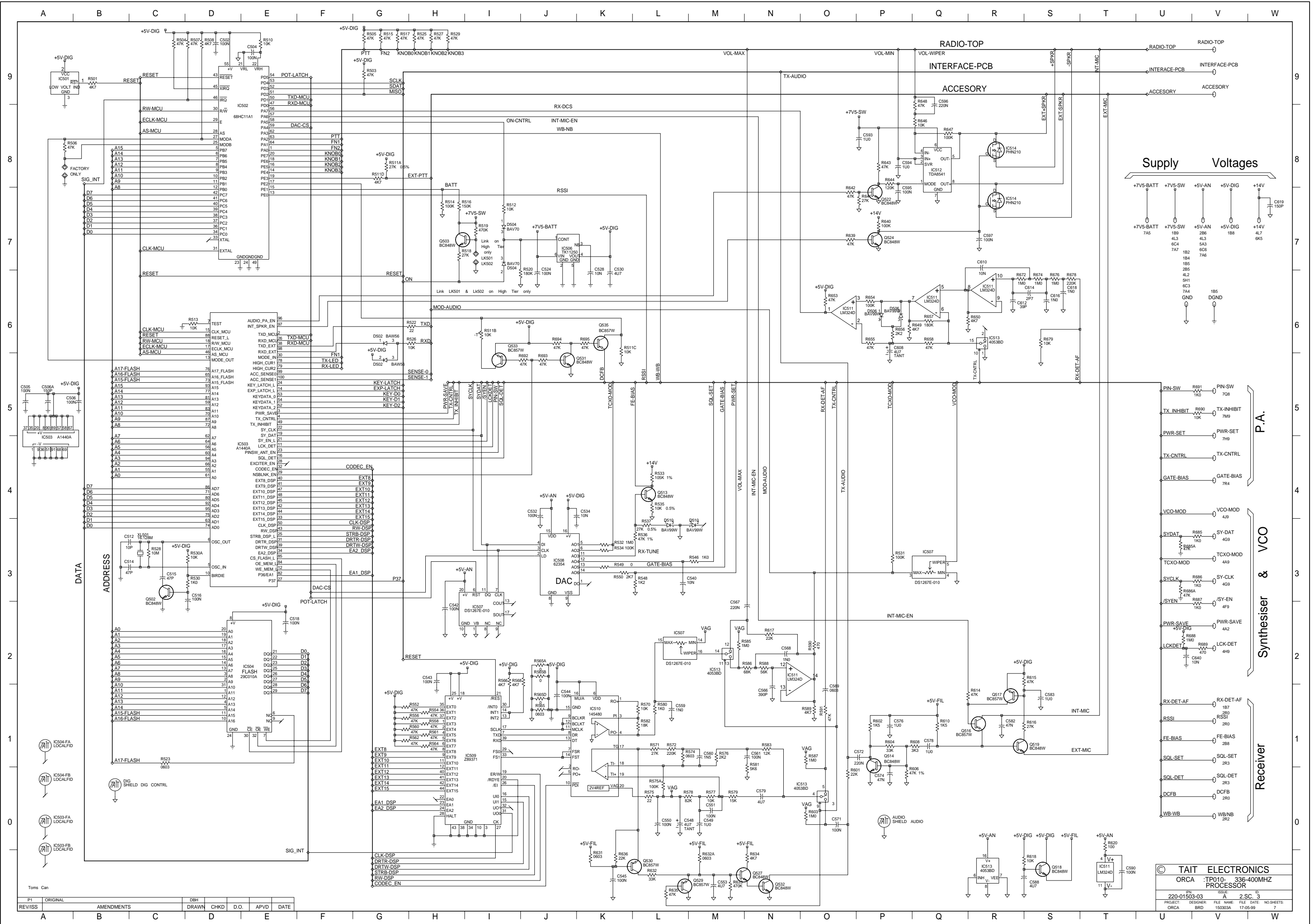


Variant Table

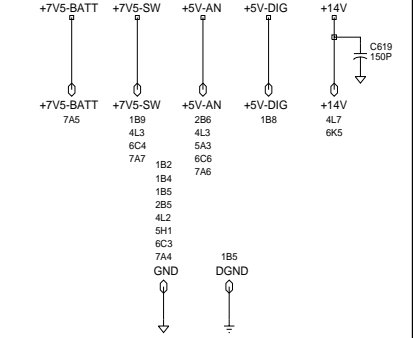
Part	NB	MB	WB
XF303	G		D
XF304	G		D
R349	-T 10k		NF
R350	2k7		NF
C370	27p		22P
C369	330P		330P
R390	330k		68k
R355	47k		22k

TAIT ELECTRONICS  
 ORCA :TP010- 336-400MHZ RECEIVER  
 IPN: 220-01503-03  
 ISSUE: A  
 ID: 2.S.C. 2  
 PROJECT: ORCA BRD  
 DESIGNER: 150303A  
 FILE NAME: 17-05-99  
 NO.SHEETS: 7

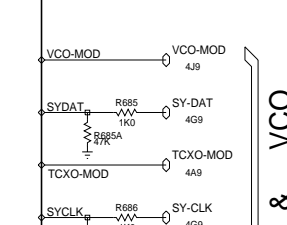
REV/ISS	AMENDMENTS	DRAWN	CHKD	D.O.	APVD	DATE



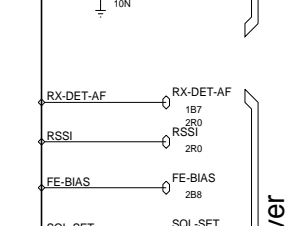
**Supply Voltages**



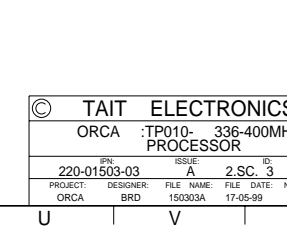
**P.A.**



**Synthesiser & VCO**



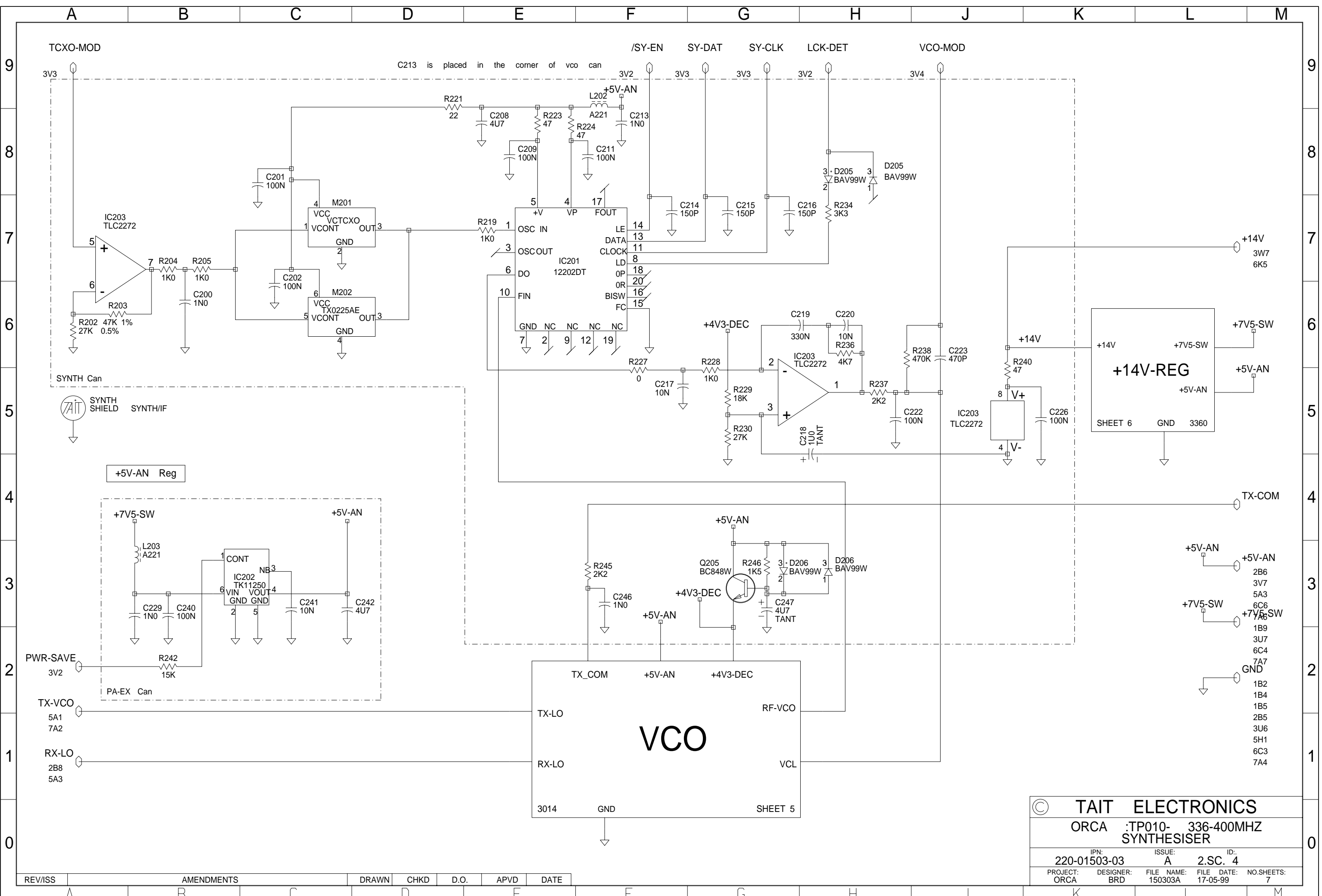
**Receiver**



© TAIT ELECTRONICS  
 ORCA :TP010- 336-400MHZ  
 PROCESSOR  
 220-01503-03 2 SC 3  
 PROJECT DESIGNER FILE NAME FILE DATE NO SHEETS  
 ORCA BRD 150303A 17-05-99 7

REV/ISS	ORIGINAL	AMENDMENTS	DRAWN	CHKD	D.O.	APVD	DATE
P1							

Toms Can



C213 is placed in the corner of vco can

# VCO

TX\_COM +5V-AN +4V3-DEC

TX-LO RF-VCO

RX-LO VCL

3014 GND SHEET 5

+14V-REG

+14V +7V5-SW +5V-AN

SHEET 6 GND 3360

+5V-AN Reg

+7V5-SW +5V-AN

L203 A221

IC202 TK11250

CONT NB 3 VOUT 4

VIN 2 GND 5

C229 1N0 C240 100N

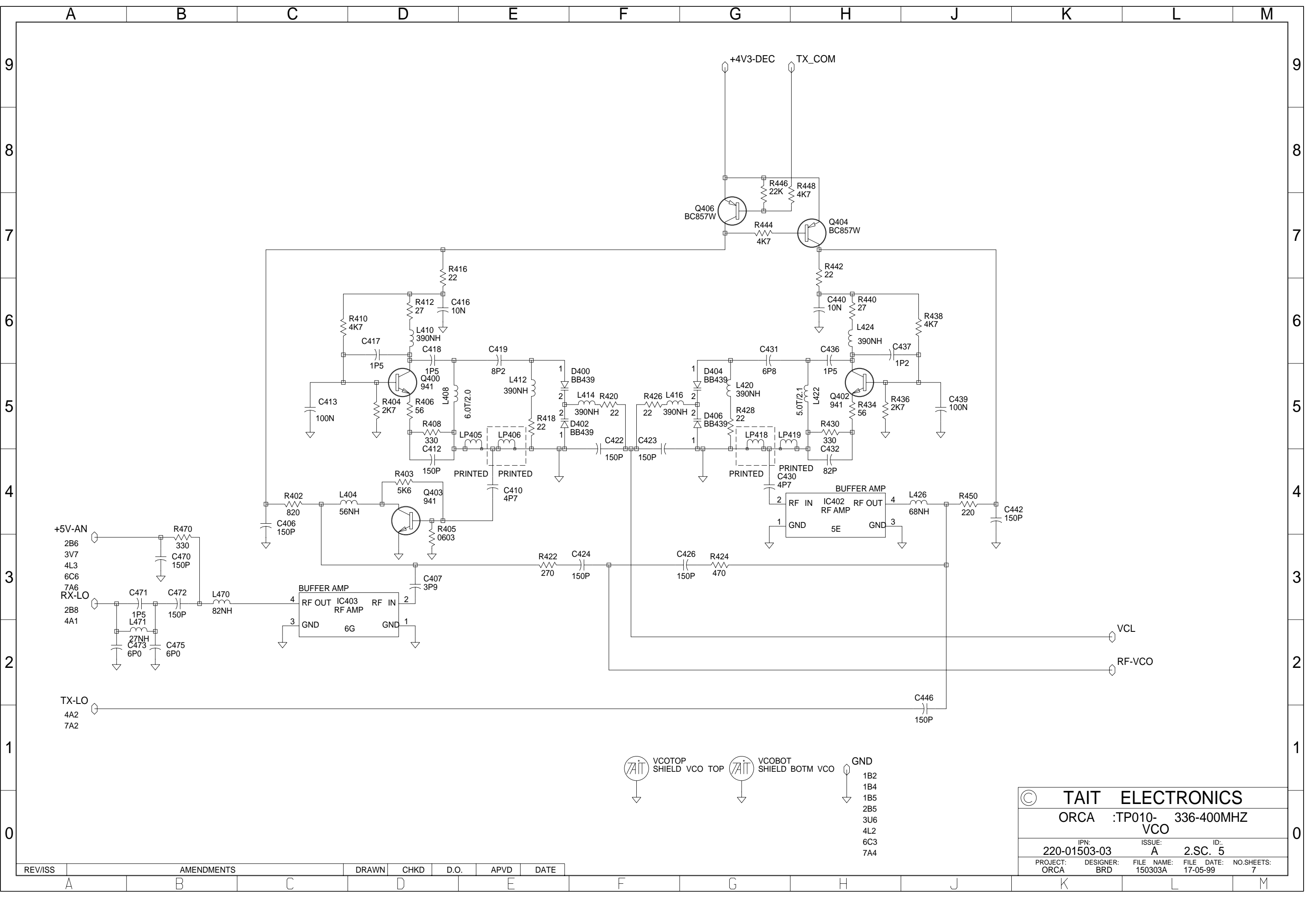
C241 10N C242 4U7

R242 15K

PA-EX Can

© TAIT ELECTRONICS				
ORCA :TP010- 336-400MHZ SYNTHESISER				
IPN:	ISSUE:	ID:		
220-01503-03	A	2.SC. 4		
PROJECT:	DESIGNER:	FILE NAME:	FILE DATE:	NO.SHEETS:
ORCA	BRD	150303A	17-05-99	7

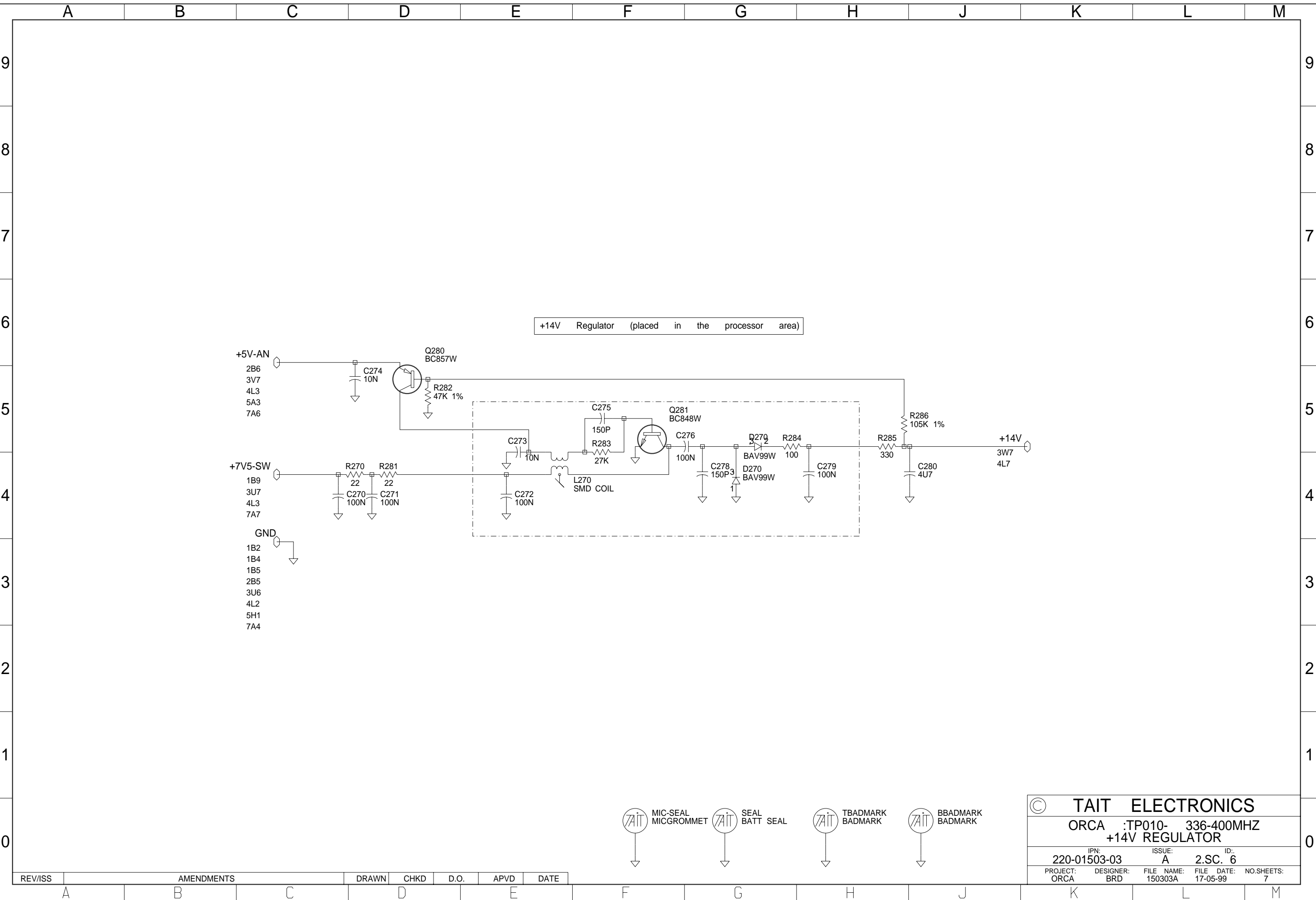
REV/ISS	AMENDMENTS	DRAWN	CHKD	D.O.	APVD	DATE



© TAIT ELECTRONICS  
 ORCA :TP010- 336-400MHZ  
 VCO  
 IPN: 220-01503-03 ISSUE: A ID: 2.SC. 5  
 PROJECT: ORCA DESIGNER: BRD FILE NAME: 150303A FILE DATE: 17-05-99 NO.SHEETS: 7

REV/ISS	AMENDMENTS	DRAWN	CHKD	D.O.	APVD	DATE

- VCOTOP SHIELD VCO TOP
- VCOBOT SHIELD BOTM VCO
- GND
  - 1B2
  - 1B4
  - 1B5
  - 2B5
  - 3U6
  - 4L2
  - 6C3
  - 7A4



+14V Regulator (placed in the processor area)



MIC-SEAL  
MICGROMMET



SEAL  
BATT SEAL



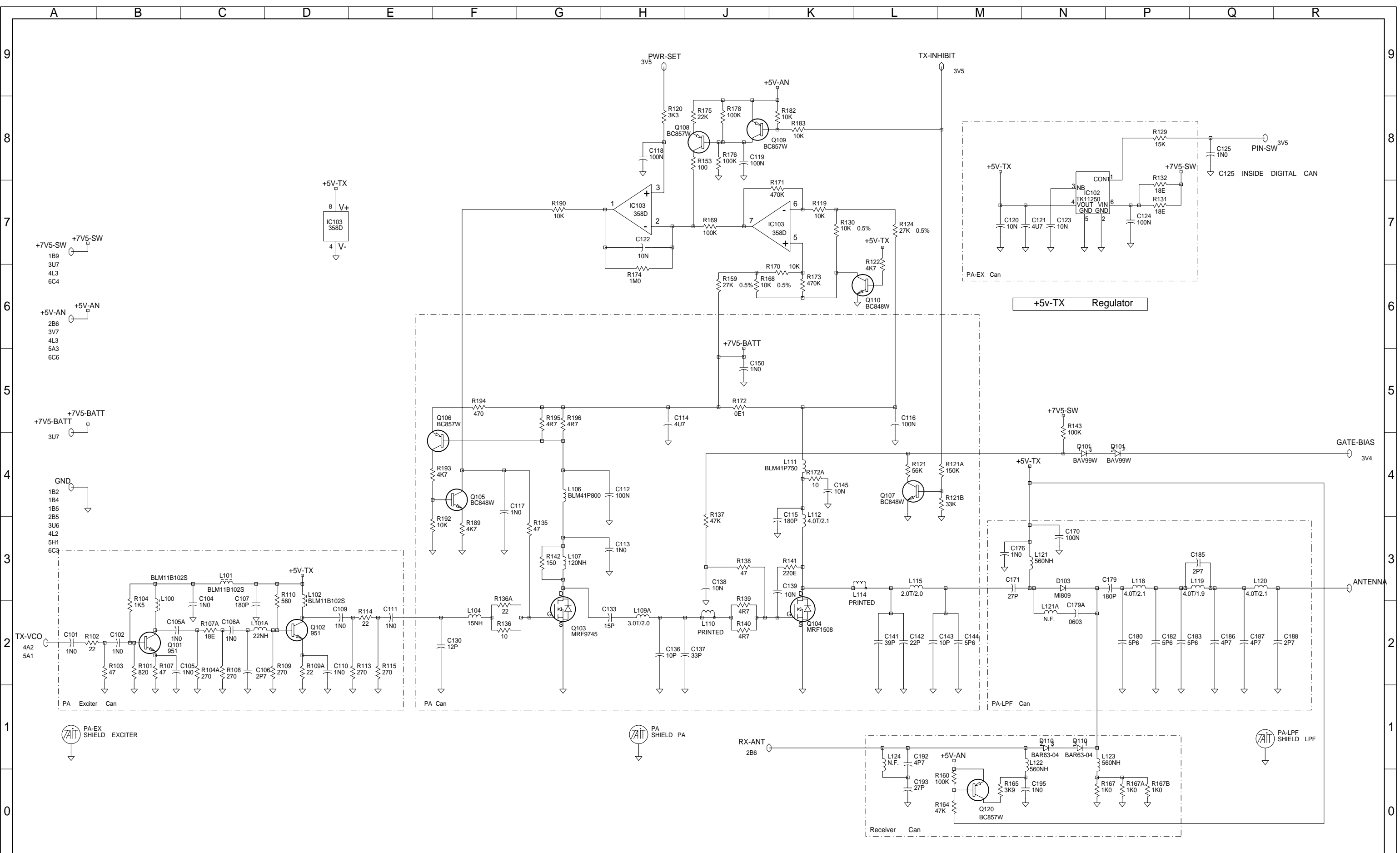
TBADMARK  
BADMARK



BBADMARK  
BADMARK

© TAIT ELECTRONICS				
ORCA :TP010- 336-400MHZ +14V REGULATOR				
IPN:	ISSUE:	ID:		
220-01503-03	A	2.SC. 6		
PROJECT:	DESIGNER:	FILE NAME:	FILE DATE:	NO.SHEETS:
ORCA	BRD	150303A	17-05-99	7

REV/ISS	AMENDMENTS	DRAWN	CHKD	D.O.	APVD	DATE
---------	------------	-------	------	------	------	------



© TAIT ELECTRONICS  
 ORCA :TP010- 336-400MHZ  
 LOWCOST T3010

IPN: 220-01503-03	ISSUE: A	ID: 2.S.C. 7
PROJECT: ORCA	DESIGNER: BRD	FILE NAME: 150303A
FILE DATE: 17-05-99	NO.SHEETS: 7	

03A						
REV/ISS	AMENDMENTS	DRAWN	CHKD	D.O.	APVD	DATE